

## PLUG-IN CURRENT TRANSFORMER, CLASS 0.5 ... / 5 A

With plug-in current transformers, the conductor to be measured is fed through the opening, which is available in various diameters. The break proof plastic housings are flame retardant and self-extinguishing.

When installing plug-in current transformers, the primary conductor is interrupted, meaning they are mainly suitable for new installations.



## PLUG-IN CURRENT TRANSFORMER, CLASS 0.5 – TECHNICAL DATA

### PLUG-IN CURRENT TRANSFORMER, CLASS 0.5 ... / 5 A SECONDARY CURRENT\*

TYPE	PRIMARY CURRENT in A	RATIO	POWER in VA	PRIMARY CONDUCTOR	ROUND CONDUCTOR in mm	WIDTH in mm	WEIGHT in kg	PART NO.
IPA40.5	60	60/5	2	40 x 10; 30 x 15; 25 x 20	30	70	0.6	<a href="#">0905349</a>
IPA40.5	75	75/5	2	40 x 10; 30 x 15; 25 x 20	30	70	0.6	<a href="#">0905350</a>
IPA40.5	100	100/5	2.5	40 x 10, 30 x 15; 25 x 20	30	70	0.5	<a href="#">0905351</a>
IPA40.5	150	150/5	5	40 x 10, 30 x 15; 25 x 20	30	70	0.6	<a href="#">0905236</a>
6A315.3	200	200/5	3.75	30 x 15, 20 x 20	28	60	0.3	<a href="#">0900360</a>
6A315.3	250	250/5	5	30 x 15; 20 x 20	28	60	0.3	<a href="#">0900361</a>
6A315.3	300	300/5	5	30 x 15; 20 x 20	28	60	0.3	<a href="#">0900362</a>
6A315.3	400	400/5	5	30 x 15; 20 x 20	28	60	0.3	<a href="#">0900363</a>
6A315.3	500	500/5	5	30 x 15; 20 x 20	28	60	0.3	<a href="#">0900364</a>
6A315.3	600	600/5	5	30 x 15; 20 x 20	28	60	0.3	<a href="#">0900365</a>
7A412.3	800	800/5	5	40 x 12; 2 x 30 x 10	33	70	0.4	<a href="#">0900887</a>
7A412.3	1000	1000/5	5	40 x 12; 2 x 30 x 10	33	70	0.4	<a href="#">0900888</a>
8A512.3	1.250	1250/5	5	50 x 12; 2 x 40 x 10	42	85	0.4	<a href="#">0901339</a>
9A615.3	1.500	1500/5	5	63 x 15; 2 x 50 x 10	53	95	0.5	<a href="#">0901820</a>
9A615.3	1.600	1600/5	5	63 x 15; 2 x 50 x 10	53	95	0.5	<a href="#">0901821</a>
9A615.3	2.000	2000/5	5	63 x 15; 2 x 50 x 10	53	95	0.5	<a href="#">0901822</a>
9A615.3	2.500	2500/5	5	63 x 15; 2 x 50 x 10	53	95	0.5	<a href="#">0901823</a>

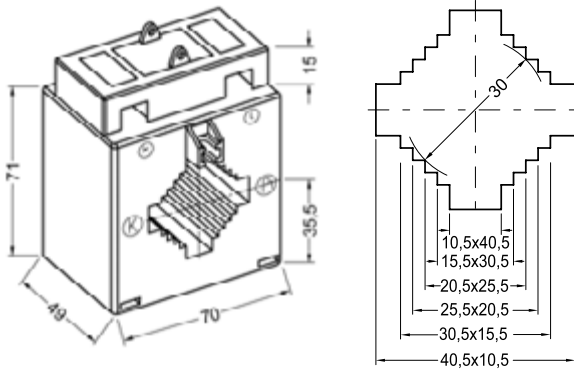
### ACCESSORIES

Snap-on mounting for DIN rail EN 50022-35, suitable for design type 9A615.3, IPA40, 1 pair	0.01	<a href="#">0909000</a>
Snap-on mounting for DIN rail EN 50022-35, suitable for design type 6A315.3, 7A412.3, 8A512.3 and 9A615.3, 1 pair	0.01	<a href="#">0909001</a>
Snap-on mounting for DIN rail EN 50022-35, suitable for design type IPA40.5, 1 pair	0.01	<a href="#">0909002</a>

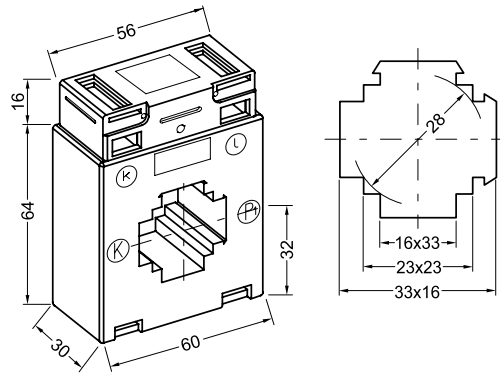
\* Secondary current transformer ... / 1 A and other types on request.

## PLUG-IN CURRENT TRANSFORMER, CLASS 0.5 – DIMENSIONAL DRAWINGS

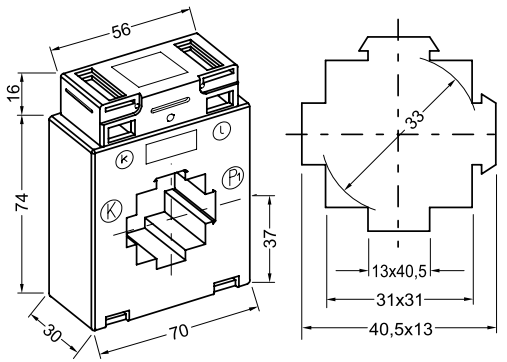
IPA40.5



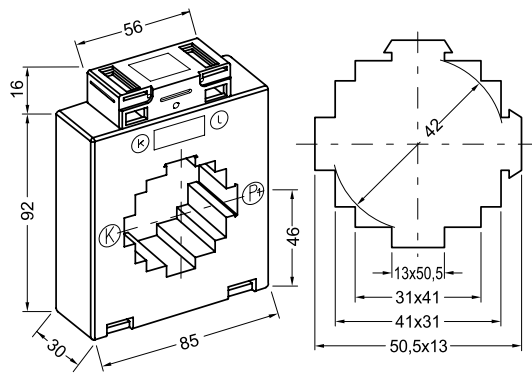
6A315.3



7A412.3



8A512.3



9A615.3

