

SPLIT CORE CURRENT TRANSFORMERS, CLASS 0.5, 1 AND 3

Split core current transformers are particularly suitable for retrofitting, since their installation does not require the primary circuit to be interrupted. They are quick and easy to install and are available in the types KUW and KBU.



SPLIT CORE CURRENT TRANSFORMER – TECHNICAL DATA

SPLIT CORE CURRENT TRANSFORMERS – KUW1 SERIES FOR INSULATED CABLES UP TO MAX. 18 MM IN DIAMETER

TYPE	PRIMARY CURRENT in A	SECONDARY CURRENT in A	POWER in VA	CLASS	CABLE LENGTH in m	Ø OF PRIMARY CONDUCTOR in mm	WEIGHT in kg	PART NO.
KUW1/30-60	60	1	0.2	3	3	18	0.3	1503510
KUW1/30-75	75	1	0.2	3	3	18	0.3	1503511
KUW1/30-100	100	1	0.2	3	3	18	0.3	1503512
KUW1/30-125	125	1	0.2	3	3	18	0.3	1503513
KUW1/30-150	150	1	0.2	3	3	18	0.3	1503514
KUW1/30-200	200	1	0.2	1	3	18	0.3	1503515
KUW1/30-250	250	1	0.2	1	3	18	0.3	1503317
KUW1/40-100	100	1	0.2	1	3	18	0.4	1503320
KUW1/40-125	125	1	0.2	1	3	18	0.4	1503321
KUW1/40-150	150	1	0.2	1	3	18	0.4	1503322
KUW1/40-200	200	1	0.2	0.5	3	18	0.4	1503325
KUW1/40-250	250	1	0.2	0.5	3	18	0.4	1503326
KUW1/40-150	150	5	1	1	0.5	18	0.4	1503329
KUW1/40-200	200	5	1	1	0.5	18	0.4	1503330
KUW1/40-250	250	5	1	0.5	0.5	18	0.4	1503331

SPLIT CORE CURRENT TRANSFORMERS – KUW2 SERIES FOR INSULATED CABLES OF MAX. 28 MM IN DIAMETER

TYPE	PRIMARY CURRENT in A	SECONDARY CURRENT in A	POWER in VA	CLASS	CABLE LENGTH in m	Ø OF PRIMARY CONDUCTOR in mm	WEIGHT in kg	PART NO.
KUW2/40-200	200	1	0.2	1	3	28	0.3	1503351
KUW2/40-250	250	1	0.2	1	3	28	0.3	1503352
KUW2/40-300	300	1	0.2	1	3	28	0.3	1503354
KUW2/40-400	400	1	0.2	1	3	28	0.4	1503356
KUW2/40-500	500	1	0.2	0.5	3	28	0.4	1503358
KUW2/40-250	250	5	1	1	0.5	28	0.3	1503353
KUW2/40-300	300	5	1	1	0.5	28	0.3	1503355
KUW2/40-400	400	5	1	1	0.5	28	0.3	1503357
KUW2/40-500	500	5	1	1	0.5	28	0.3	1503359

SPLIT CORE CURRENT TRANSFORMERS – KUW4/60 SERIES FOR INSULATED CABLES UP TO MAX. 42 MM IN DIAMETER

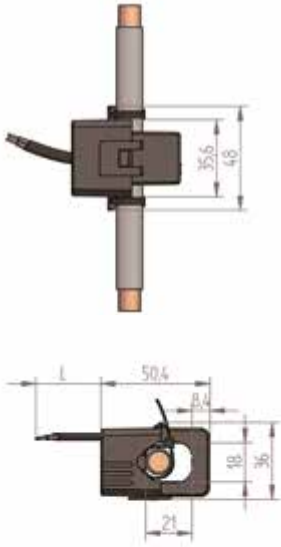
TYPE	PRIMARY CURRENT in A	SECONDARY CURRENT in A	POWER in VA	CLASS	CABLE LENGTH in m	Ø OF PRIMARY CONDUCTOR in mm	WEIGHT in kg	PART NO.
KUW4/60-250	250	1	0.5	1	5	42	0.6	1503565
KUW4/60-300	300	1	0.5	1	5	42	0.6	1503566
KUW4/60-400	400	1	0.5	0.5	5	42	0.6	1503568
KUW4/60-500	500	1	0.5	0.5	5	42	0.6	1503570
KUW4/60-600	600	1	0.5	0.5	5	42	0.6	1503572
KUW4/60-750	750	1	0.5	0.5	5	42	0.6	1503574
KUW4/60-800	800	1	0.5	0.5	5	42	0.6	1503576
KUW4/60-1000	1000	1	0.5	0.5	5	42	0.6	1503578
KUW4/60-300	300	5	0.5	1	3	42	0.6	1503367
KUW4/60-400	400	5	0.5	1	3	42	0.6	1503369
KUW4/60-500	500	5	0.5	1	3	42	0.6	1503371
KUW4/60-600	600	5	0.5	0.5	3	42	0.6	1503373
KUW4/60-750	750	5	0.5	0.5	3	42	0.6	1503375
KUW4/60-800	800	5	0.5	0.5	3	42	0.6	1503377
KUW4/60-1000	1000	5	0.5	0.5	3	42	0.6	1503379

SPLIT CORE CURRENT TRANSFORMERS – KUW4.2/60 SERIES FOR INSULATED CABLES UP TO MAX. 2 X 42 MM IN DIAMETER

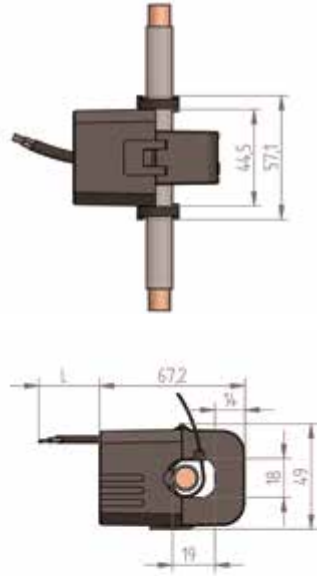
TYPE	PRIMARY CURRENT in A	SECONDARY CURRENT in A	POWER in VA	CLASS	CABLE LENGTH in m	Ø OF PRIMARY CONDUCTOR in mm	WEIGHT in kg	PART NO.
KUW4.2/60-250	250	1	0.5	1	5	42 x 84	0.7	1503580
KUW4.2/60-300	300	1	0.5	1	5	42 x 84	0.8	1503581
KUW4.2/60-400	400	1	0.5	0.5	5	42 x 84	0.7	1503583
KUW4.2/60-500	500	1	0.5	0.5	5	42 x 84	0.8	1503585
KUW4.2/60-600	600	1	0.5	0.5	5	42 x 84	0.7	1503587
KUW4.2/60-750	750	1	0.5	0.5	5	42 x 84	0.8	1503589
KUW4.2/60-800	800	1	0.5	0.5	5	42 x 84	0.8	1503591
KUW4.2/60-1000	1000	1	0.5	0.5	5	42 x 84	0.8	1503593
KUW4.2/60-300	300	5	0.5	1	3	42 x 84	0.7	1503382
KUW4.2/60-400	400	5	0.5	1	3	42 x 84	0.8	1503384
KUW4.2/60-500	500	5	0.5	1	3	42 x 84	0.6	1503386
KUW4.2/60-600	600	5	0.5	0.5	3	42 x 84	0.7	1503388
KUW4.2/60-750	750	5	0.5	0.5	3	42 x 84	0.8	1503390
KUW4.2/60-800	850	5	0.5	0.5	3	42 x 84	0.8	1503392
KUW4.2/60-1000	1000	5	0.5	0.5	3	42 x 84	0.8	1503394

SPLIT CORE CURRENT TRANSFORMER – DIMENSIONAL DRAWINGS

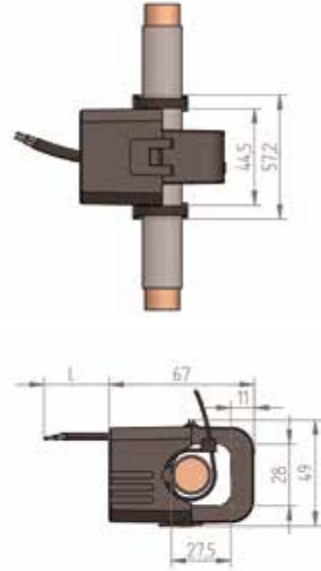
KUW1/30



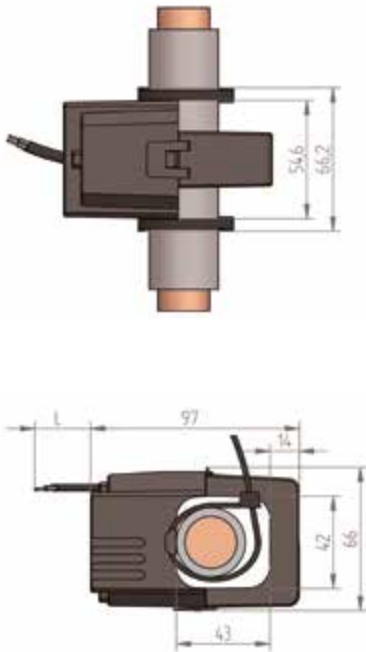
KUW1/40



KUW2/40



KUW4/60



KUW4.2/60

